

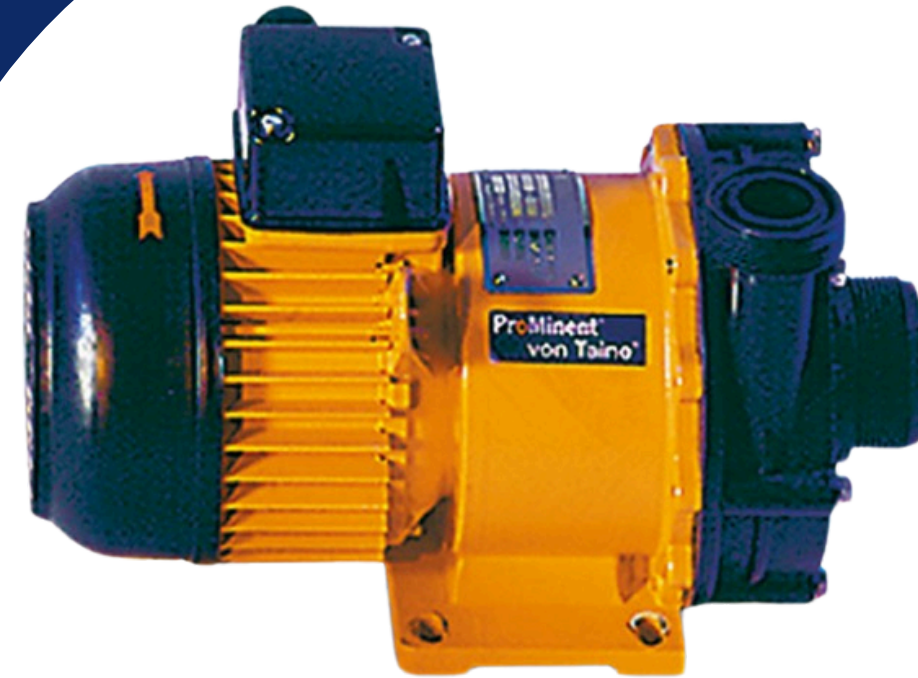


CENTRIFUGAL CHEMICAL PUMPS

VON TAINÉ

Capacity range up to 22,500 l/h, discharge lift up to 23.5 m WC.

The solenoid-coupled centrifugal pump von Taine for the pumping of liquid media works safely and reliably: liquid media are pumped leak-free.



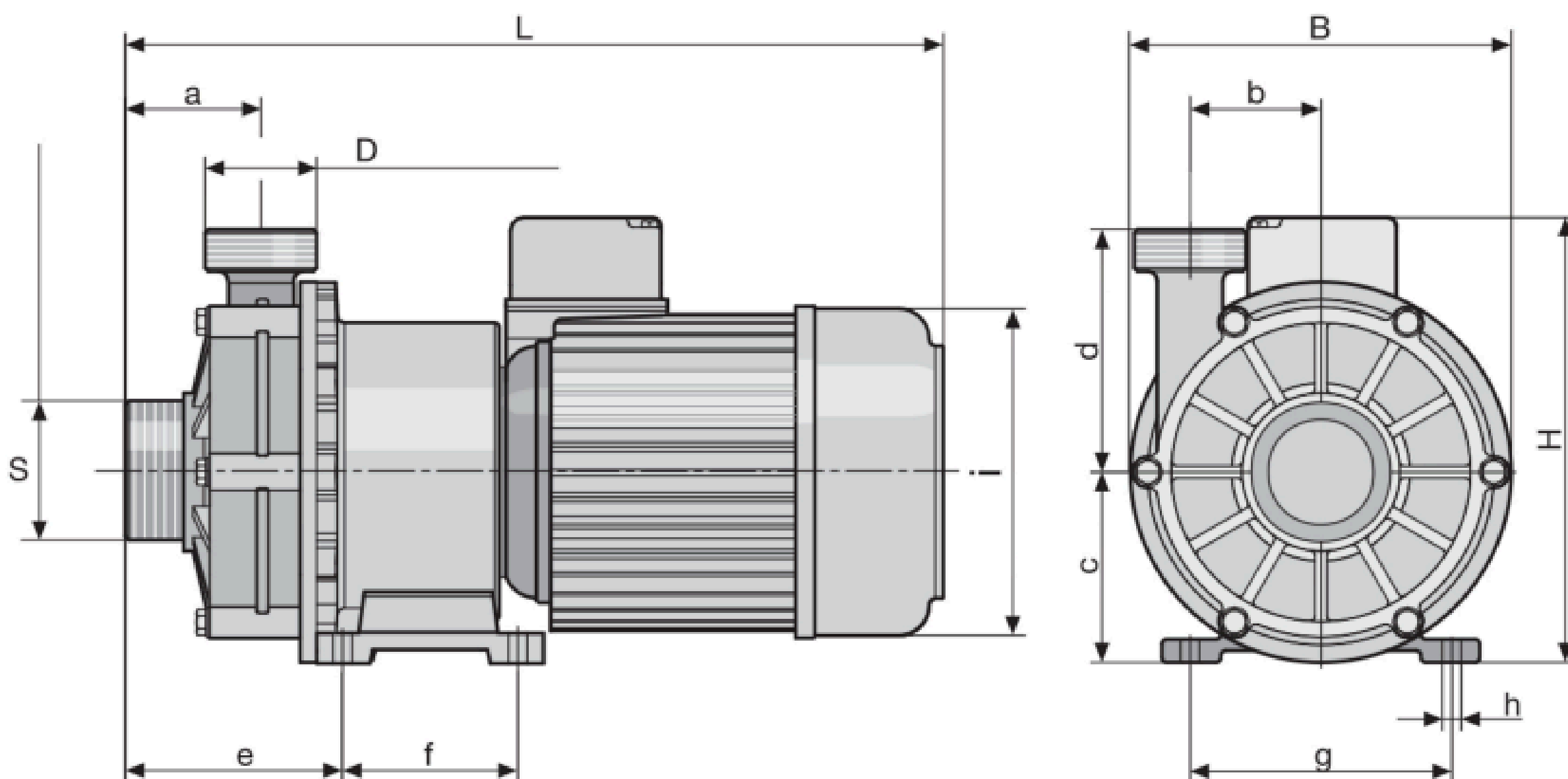
ProMinent®

TECHNICAL DETAILS

- ✓ Pump head made of PP or PVDF
- ✓ FKM or EPDM seal
- ✓ The pump is not self-priming and requires a feed
- ✓ Protect the pump from running dry
- ✓ Hydraulic connectors with pipe threading as per DIN ISO 228-1

VON TAINÉ, PVDF/EPDM VERSION

Type	Feed rate at max. pressure l/h	Feed lift max. m	Power uptake kW	Voltage/frequency	Weight Kg
von Taine 0502	1,800	4.5	0.06	1~/230 V/50 Hz	2.8
von Taine 0807	6,600	7.9	0.25	3~/400 V/50 Hz	5.2
von Taine 1010	9,600	10.0	0.37	3~/400 V/50 Hz	8.0
von Taine 2323	22,500	23.5	1.50	3~/400 V/50 Hz	17.7



FOR MORE INFORMATION.

www.ptdsak.com

@ptdsak

