



SOLENOID DRIVEN METERING PUMP BETA®

The product flow range from 0.74 – 32 l/h, 25 – 2 bar, All-purpose solenoid-driven metering pump for metering liquid media in water treatment and chemical processes: Solenoid-driven metering pump beta.

YOUR BENEFIT :

- Optional external control via 0/4 – 20 mA and potential-free contacts with pulse step-up and step-down of 64:1 to 1:64
- Simple adjustment of metering capacity via stroke rate and stroke length
- Adaptation to existing signal transducers by external control via potential-free contacts with pulse step-up and step-down
- Suitable for use with almost all liquid chemicals thanks to the available material combinations: PP, PVDF, clear acrylic, PTFE and stainless steel
- Self-bleeding dosing head design in clear acrylic/PVC and PP
- Virtually wear-free solenoid drive: economical and overload-proof
- Field of application suited in water treatment and chemical process

TECHNICAL DETAILS :

- External control via potential-free contacts with pulse step-up and step-down to adapt to existing signal transducers of 64:1 to 1:64
- Optional external control via 0/4 – 20 mA and potential-free contacts with pulse step-up and step-down of 32:1 to 1:32
- Stroke rate adjustment in 10% increments of 10 – 100% corresponds to 18 – 180 strokes/minute
- Continuous stroke length adjustment of 0 – 100% (recommended 30 – 100%)
- Connector for 2-stage level switch
- Wide-range electrical connection: 100 – 230 V, 50/60 Hz
- Optional relay module, can also be retrofitted easily and securely
- Low voltage design 12 – 24 V DC



ProMinent®

Materials in Contact with The Medium

Material type	Dosing head	Suction/ pressure connector	Ball seat	Seals	Balls
PPT	Polypropylene	PVDF	PVDF	PTFE	Ceramic
NPT	Clear	acrylic	PVDF	PTFE	Ceramic
PVT	PVDF	PVDF	PVDF	PTFE	Ceramic
TTT	PTFE with Carbon	PTFE with Carbon	Ceramic	PTFE	Ceramic
SST	Stainless steel material no.1.4404	Stainless steel material no.1.4404	Ceramic	PTFE	Ceramic

FOR MORE INFORMATION.

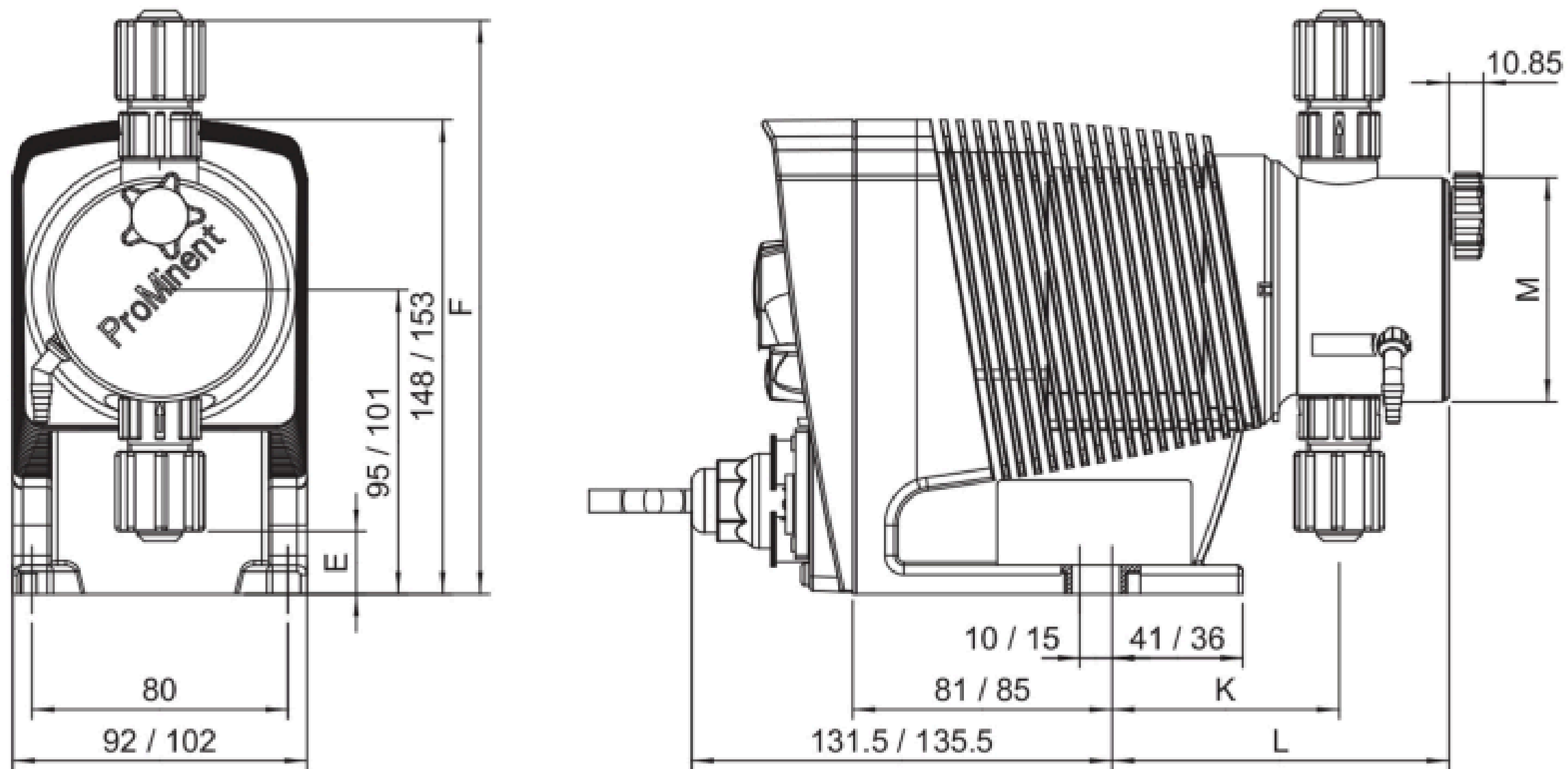
www.ptdsak.com

@ptdsak



SOLENOID DRIVEN METERING PUMP BETA®

Dimensional Drawing Beta b, Material Version PP



Technical Data Driven Metering Pump- Beta®

Pump Type	Delivery rate at max. back pressure			Delivery rate at medium back pressure			Stroke rate	Connection size o \varnothing x i \varnothing	Suction lift	Average power consumption	Shipping weight PP, NP, PV, TT SS	
	bar	l/h	ml/stroke	bar	l/h	ml/stroke					Strokes / min	mm
Beta® b												
BT4b 1000***	10	0.74	0.07	5	0.82	0.08	180	6 x 4	6.0**	7,2	2.9	3.6
BT4b 1601***	16	1.1	0.1	8	1.4	0.13	180	6 x 4	6.0**	9,6	2.9	3.6
BT4b 1602***	16	2.2	0.2	8	2.5	0.24	180	6 x 4	6.0**	11,2	2.9	3.6
BT4b 1604***	16	3.6	0.33	8	4.3	0.4	180	6 x 4	6.0**	15,2	3.1	3.9
BT4b 0708***	7	7.1	0.66	3.5	8.4	0.78	180	8 x 5	6.0**	15,2	3.1	3.9
BT4b 0413	4	12.3	1.14	2	14.2	1.31	180	8 x 5	3.0**	15,2	3.1	3.9
BT4b 0220	2	19	1.76	1	20.9	1.94	180	12 x 9	2.0**	15,2	3.3	4.4
BT5b 2504	25	2.9	0.27	10	5	0.46	180	8 x 4****	6.0**	19,2	4.5	5.3
BT5b 1008	10	6.8	0.63	5	8.3	0.76	180	8 x 5	6.0**	19,2	4.5	5.3
BT5b 0713	7	11	1.02	3.5	13.1	1.21	180	8 x 5	4.0**	19,2	4.5	5.3
BT5b 0420	4	17.1	1.58	2	19.1	1.77	180	12 x 9	3.0**	19,2	4.7	5.8
BT5b 0232	2	32	2.96	1	36.2	3.35	180	12 x 9	2.0**	19,2	5.1	6.6

